

### Applications

- The **alkitronic® LEVA** is a robust, powerful, electric driven hydraulic pump.
- **Small, low weight, reliable** - ideal for service use.
- **Simple operation**, continuously adjustable up to 700 bar.
- **Trouble-free operation on the 230 V main grids** as well as on voltage-controlled mobile generators.

### Advantages

- **Flexible bolting applications:** Compatible with almost all hydraulic torque wrenches, regardless of cylinder size and torque range.
- **High precision through all pressure ranges**, defined by precisely adapted oil flow rate.
- **Simple operating remote control for ergonomic working.** 2-button operation for start / advance stroke with automatic return stroke and stop function.
- **Rapid pressure relief** of the system via a manual solenoid valve.
- Pump design with **very low heat generation**. Oil level control with continuous analog temperature display.

### alkitronic® specials

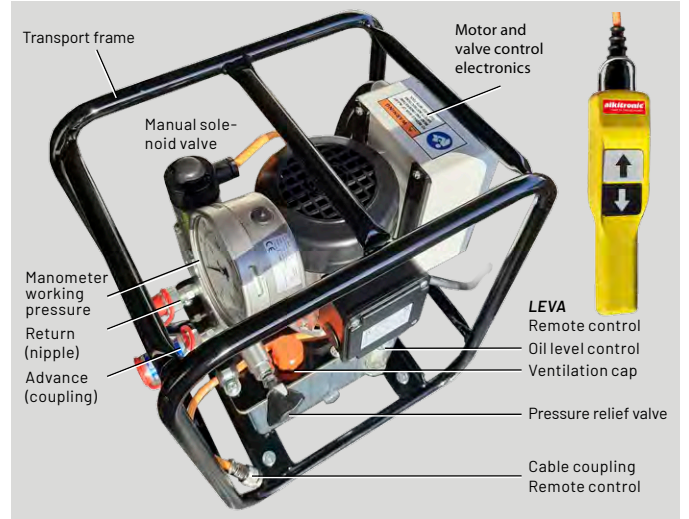
- Modular, clear assembly structure for **cost-saving parts exchange**.
- Sturdy profile frame for **stability and transport security**.
- **Significant increase in efficiency** thanks to extremely short training period.



### Technical Data

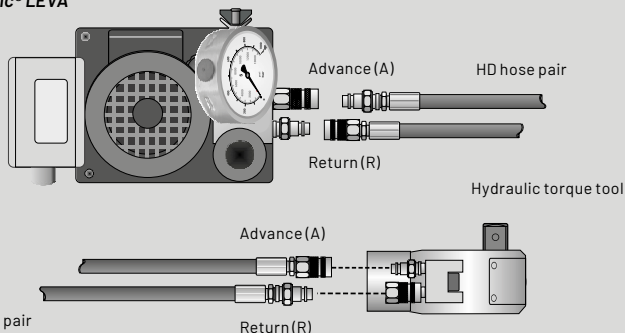
**alkitronic® LEVA** infinitely adjustable pressure setting up to 700 bar (maximum operating pressure: 700 bar).

| Description                                 | alkitronic® LEVA           |
|---|----------------------------|
| Drive electrical, nominal sensitivity       | 230 V / 50 Hz, 250 W       |
| Protection class                            | IP20                       |
| Output low pressure area                    | 3.2 l/min < 75 bar         |
| Output medium pressure area                 | 0.9 l/min at 75 to 220 bar |
| Output high pressure area                   | 0.4 l/min to 700 bar       |
| Tank capacity                               | 1.8 l                      |
| Surrounding temperature (use and storage)   | -10 °C up to +40 °C        |
| Noise emission                              | 82 dB(A)                   |
| Weight exclusive oil with transport frame   | approx. 18.4 kg            |
| Dimensions with transport frame (L x W x H) | 330 x 250 x 410 mm         |



Compatible: Diagram of hydraulic hose connection

alkitronic® LEVA



Included in the delivery:  
Remote control, transport frame, hydraulic oil, instruction manual

alkitronic® AT Hydraulic Torque Wrench



We recommend our hydraulic torque wrenches for secure and reliable tightening or loosening of heavy bolt connections.

**alkitronic®**  
HOME OF TORQUE POWER

alkitronic® products  
Made in Germany by

alki TECHNIK GmbH  
Development, Production and  
Distribution of Bolting Systems

Unterlettenweg 4  
85051 Ingolstadt  
Germany

fon +49 841 97499-0  
fax +49 841 97499-90

info@alkitronic.com  
www.alkitronic.com